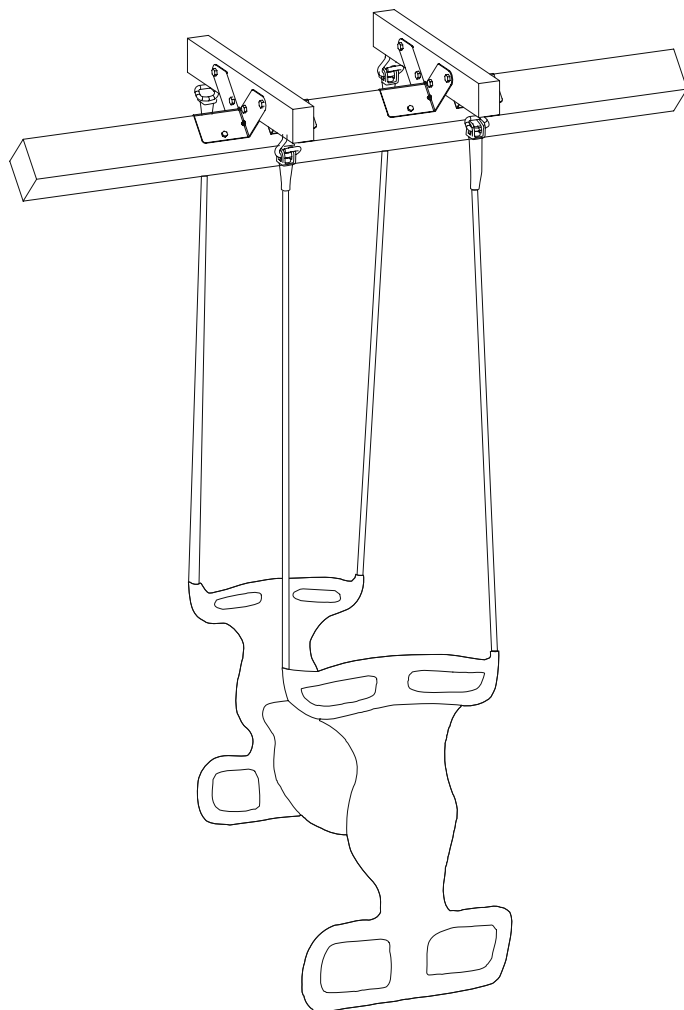




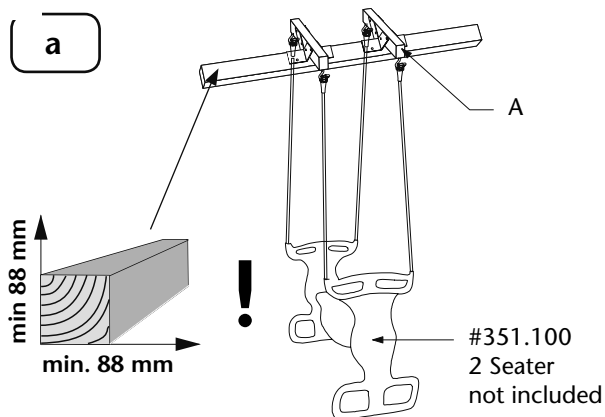
2 Seat Module

TM

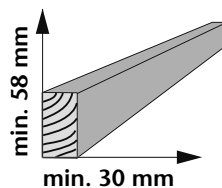
2 Seat Module



a



b



2x **A = 50 cm**